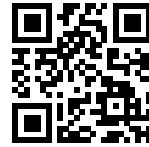


Sink FM

Tank on the left

Kitchen Sinks

Code: 1973 062



DETAILS

Edge/Installation Type Standard (8 mm Edge)

Finish Foster brushed

Material AISI 304 stainless steel

Texture Foster brushed

Base 60-80 cm

Dimensions 970x500 mm

Standard fittings Fixing hooks, gasket, drain, overflow and siphon, boxed packing

Mixer holes 1 standard hole - 2nd and 3rd on request

Built-in hole 950x480 mm

Drainer Yes

Width 97 cm

Bowl dimension 362,5x400 + 150x300mm

Number of bowls 2 bowls

Waste fitting 3,5" drain

FEATURES

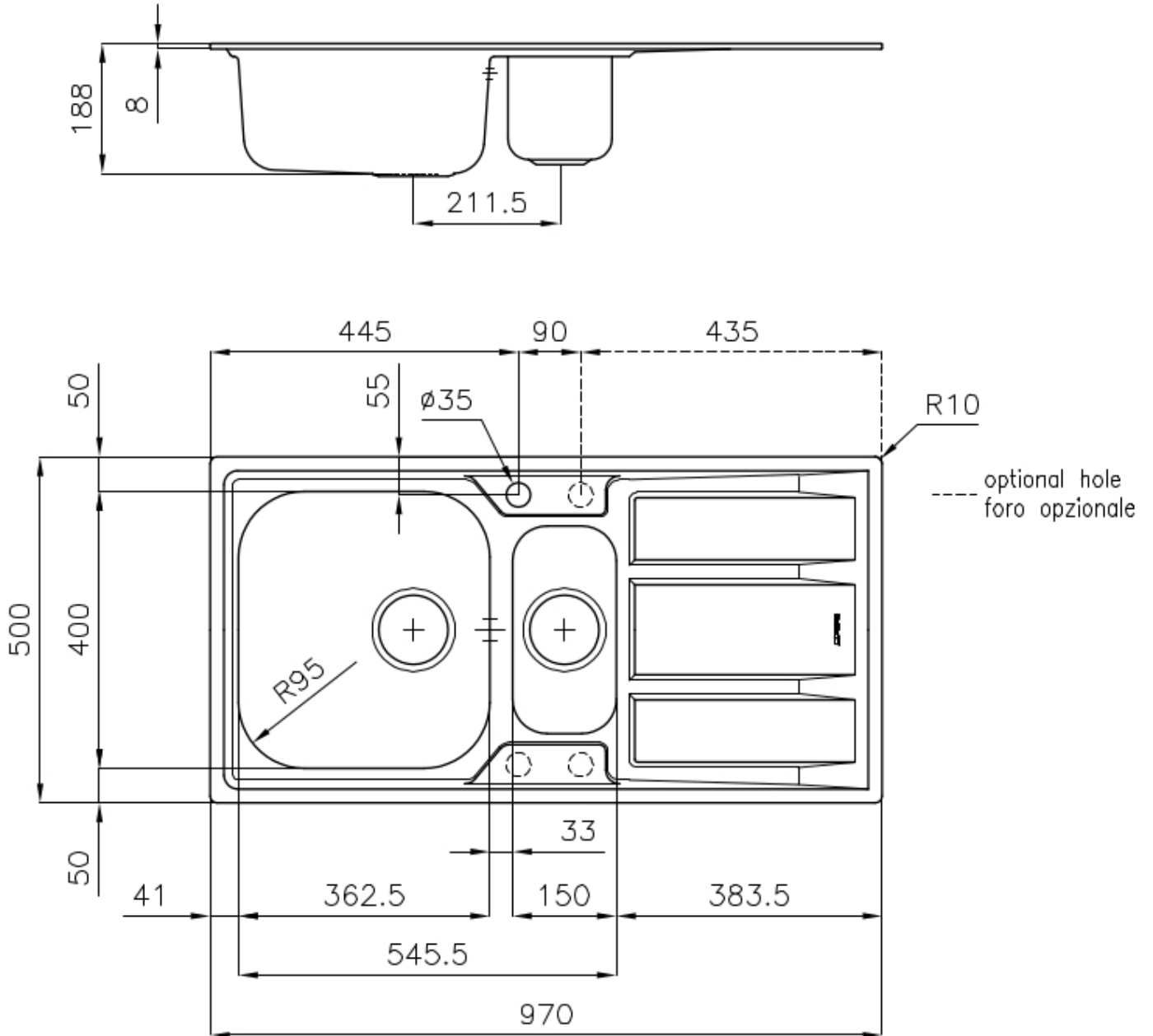
2nd / 3rd hole available The sink can be customized with the execution on request of additional holes, usable for double-hole mixers, for remote controlled drains or for the installation of soap dispensers. The positions are marked on the drawings with dotted line holes.

Added value Foster uses steel thicknesses higher than those used on average by other manufacturers. This is how, thanks to our long experience, we know how to make sinks of superior quality and with a better resistance to aging.

Basket 3,5" waste fitting The drain is equipped with a large 3.5" drain, with the practical basket cap that prevents the discharge of solid parts.

Sliding brackets

TECHNICAL DATA



OPTIONAL ACCESSORIES



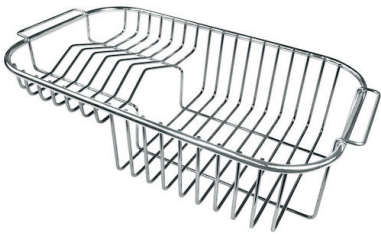
HPDE Chopping board
8657 001



Iroko-wood sliding chopping board
8643 000



Stainless steel basket
8611 000



Stainless steel plate rack
8100 301



White colander
8151 100

RECOMMENDED PAIRINGS



Mixer Tap Gamma 3 vie - satin
8496 100



Mixer Tap Lorenzo
8466 000



Mixer Tap NYC
8486 000

OPTIONAL AUTOMATIC WASTE FITTINGS



Automatic waste fitting
8407 100



Automatic waste fitting
8407 000



LIRA automatic waste fitting
8407 103