

Sink S4001 Filotop - 3365 050

Sinks

Code: 3365 050



DETAILS

Finish	Foster brushed
Material	AISI 304 stainless steel
Base	60 cm
Edge/Installation Type	Flush-mount Top-mount
Dimensions	560x520 mm
Standard fittings	Fixing hooks, gasket, drain, overflow and siphon, boxed packing
Mixer holes	2 standard holes
Built-in hole	View technical data sheet (for all Flush-mount / Top-mount models and Under-mount models)
Drainer	No

Width 56 cm

Bowl dimension 500x400mm

Number of bowls 1 bowl

Waste fitting Drain with automatic control SPACE

FEATURES

Automatic waste fitting The waste-fitting with round remote knob is supplied; a practical accessory which makes it unnecessary to get wet in order to drain the water from the bowl.

Deep bowls This bowls reach an important depth, over 20 cm, thanks to the advanced production technology, that can be offer great capieny and praticity in all the washing operations.

Double mixer hole The large tap counter is already fitted with a series of 2 tap holes. In the second hole it is possible to install the remote control of the automatic drain or, alternatively, a practical soap dispenser.

High thickness 1mm thick steel. A significant thickness, which guarantees the maximum sturdiness and durability.

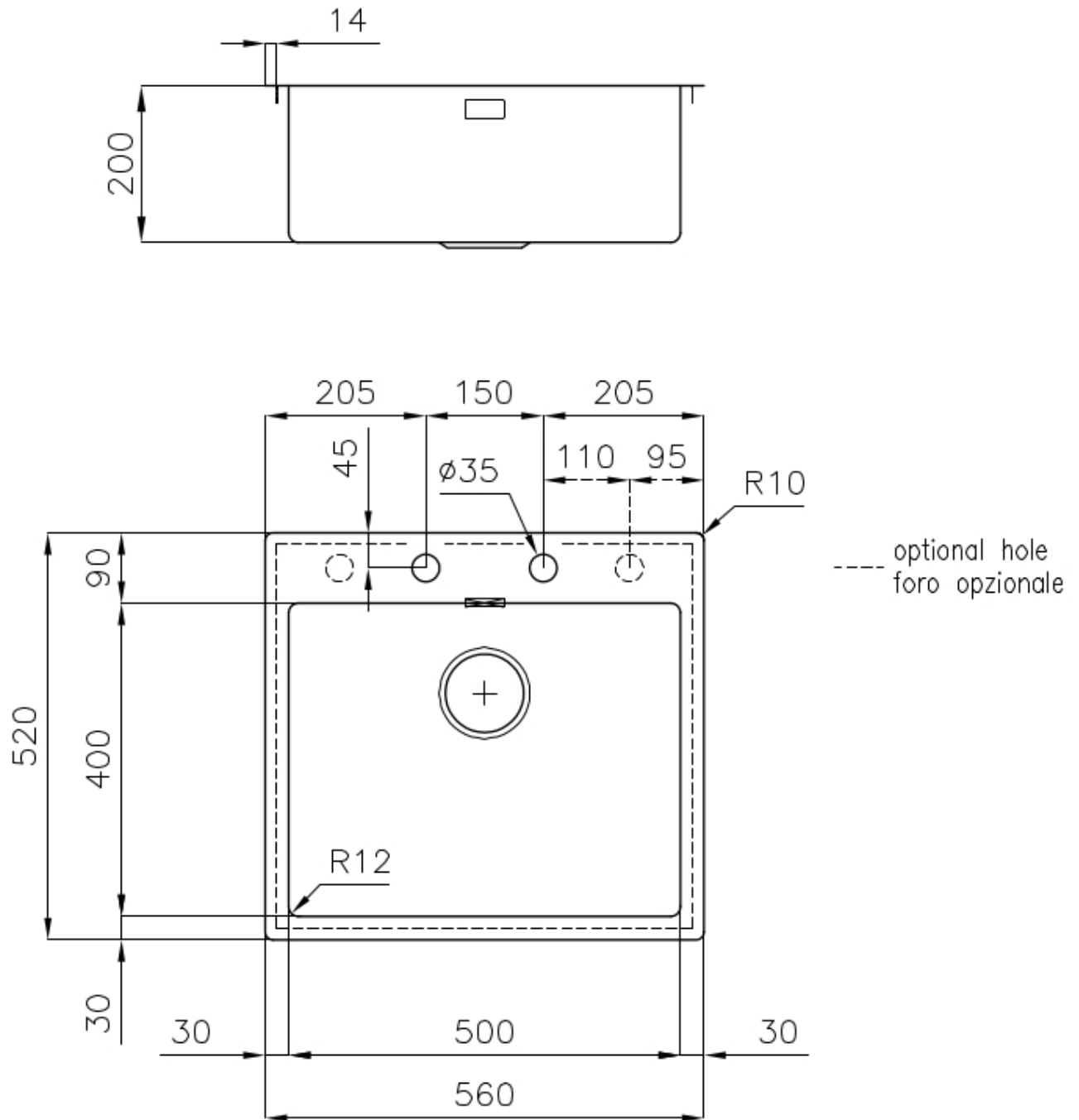
Perimetral overflow The overflow is always a security on the Foster sinks that prevents the overflow of water in case of oversights. The perimeter drain solution improves aesthetics thanks to its square and essential shape.

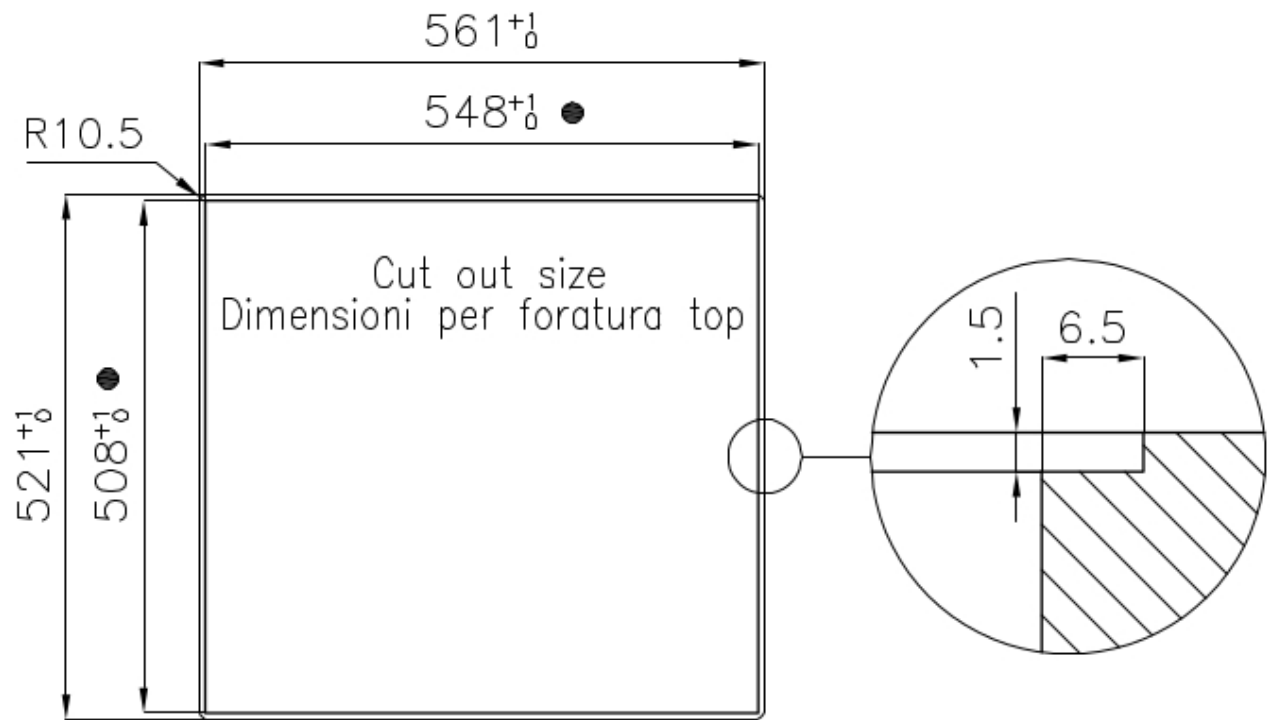
Save space system Drain and siphon are designed to leave as much space as possible in the under-sink area, more and more useful today for theseparate waste collection systems.

Small radius Bowls with squared shapes with a modern design and an increased capacity, for a minimal aesthetics connected with an extreme praticity.

Space waste fitting The elegant SPACE steel cap closes the drain and leaves no visible residues collected in the basket below. Space also has a small footprint and allows the optimal use of the under-sink compartment.

TECHNICAL DATA





- Built-in cut out for FTS – Foratura per installazione FTS

GALLERY



EQUIPMENT

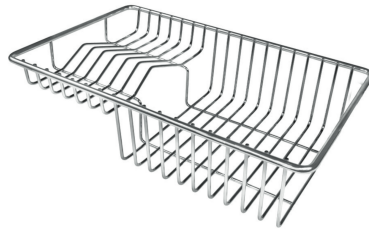


Space automatic waste fitting
8407 108

OPTIONAL ACCESSORIES



HPDE Twin chopping board 8644
101



Stainless steel plate rack 8100 303



Glass chopping board 8631 300



Graters kit with ring-holder and
food collection tray 8159 101



HPDE Chopping board 8657 001



Iroko-wood chopping board with
stainless steel colander 8644 042



Iroko-wood sliding chopping board 8644 041



Iroko-wood twin chopping board 8644 004



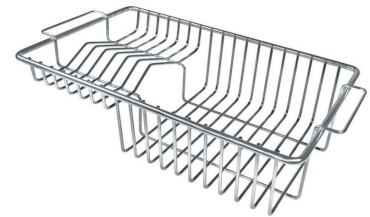
Stainless steel colander 8154 000



Stainless steel perforated tray 8151 000



Stainless steel plate rack 8100 154



Stainless steel plate rack 8100 201



White basket 8612 100



White bowl 8153 100

WARNING:

The accessories 8159101, 8100303,8151000 are only usable in combination with 8644101

RECOMMENDED PAIRINGS



Mixer Tap Play 8487 000



Mixer Tap Tre Alto 8468 000